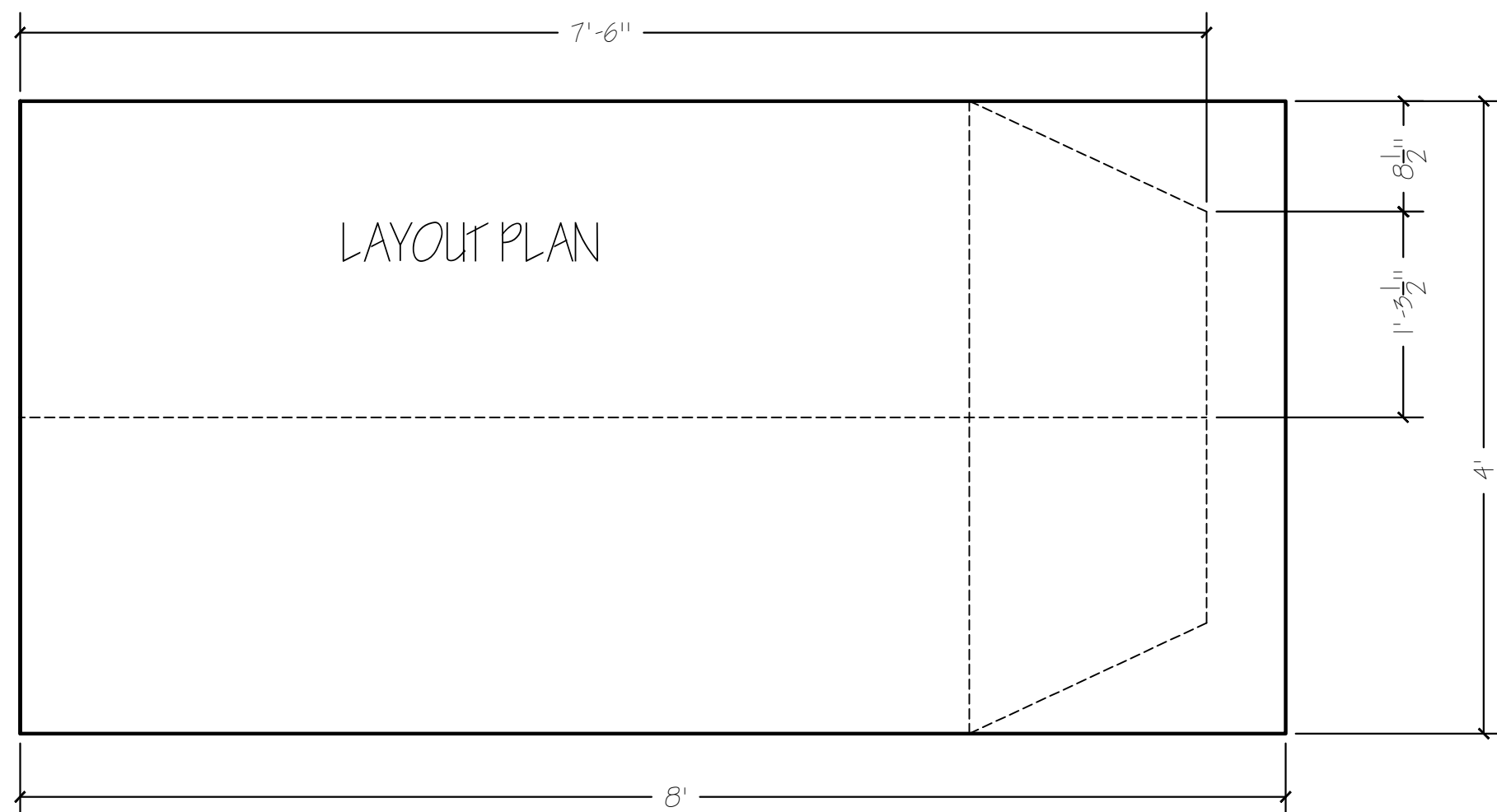
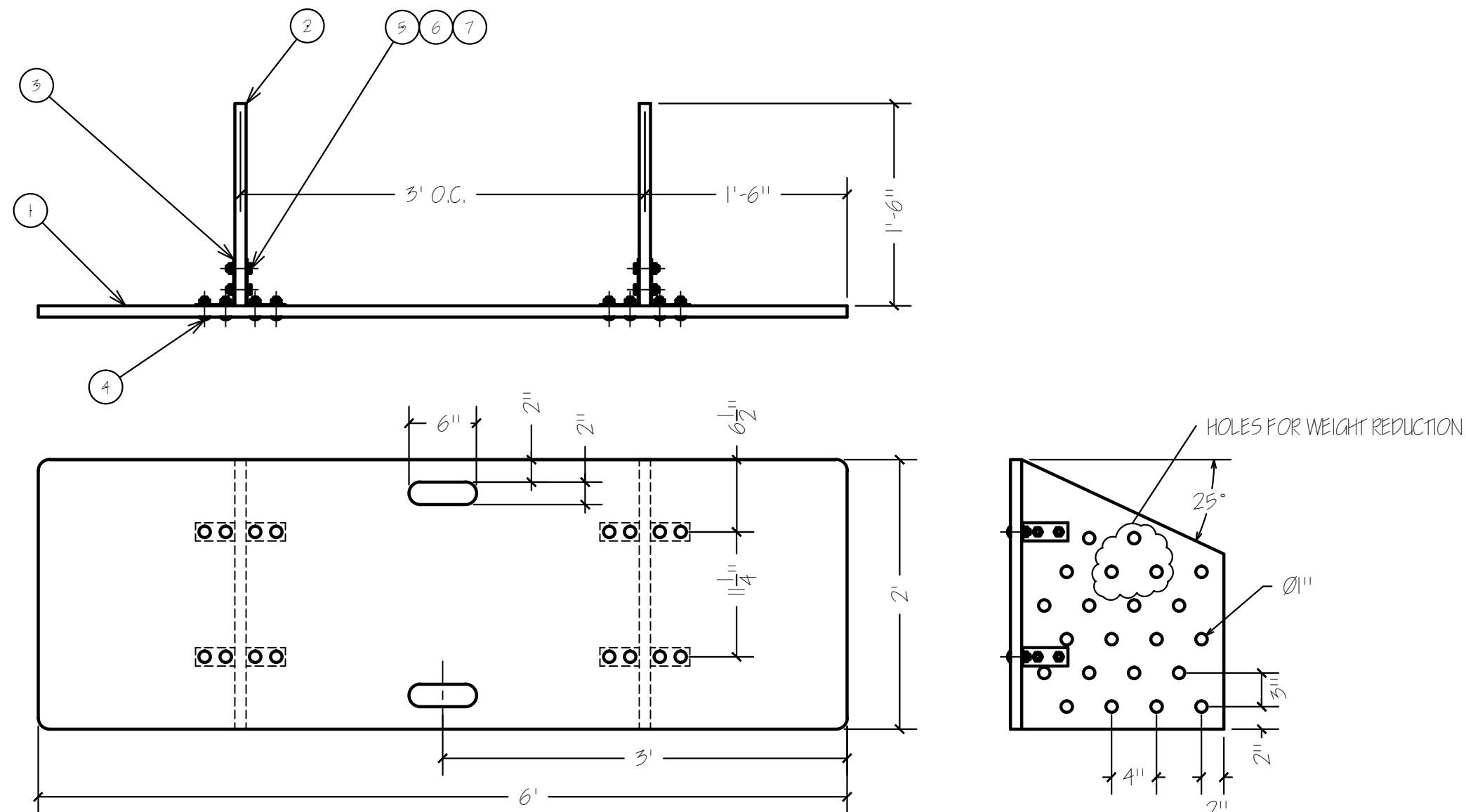


REVISIONS				
ZONE	REV	DESCRIPTION	DATE	APPROVED
X	X	XXX	XXX	



ASSEMBLE BOARD AND BRACES WITH CONSTRUCTION ADHESIVE.
 PAINT ALL OVER WITH RED SPRAY PAINT (OUTDOOR GRADE).
 WEIGHT ~ 30 LB (41.6% OF SHEET WT)

ITEM	QTY	NAME	DESCRIPTION
7	24	LOCKWASHERS	1/2" OD
6	8	HX HD NUTS	1/2" UNFINISHED
5	8	HX HD CAP SCR	1/2" x 1-3/4" LG
4	16	CARRIAGE BOLTS	1/2" x 1-3/4" LG
3	8	90° CHANNEL BRKT	SUPERSTRUT AB205
2	2	PLYWOOD BRACE	1/2" x 18" x 2 ft PRESSURE-TREATED
1	1	PLYWOOD BOARD	1/2" x 2 ft x 6 ft PRESSURE-TREATED

STANDARD TOLERANCES UNLESS OTHERWISE SPECIFIED			
.X=±.1			
.XX=±.01			
.XXX=±.005			
ANGULAR=±.5°			

MAT'L			
THIRD ANGLE PROJECTION			
COURSE			
DRAWN BY BALES		SIZE C	FILE NAME FILENAME.DWG
INSTRUCTOR		DATE 3/10/2014	DWG NO. SHEET 1/1

PASSING REBOUNDER